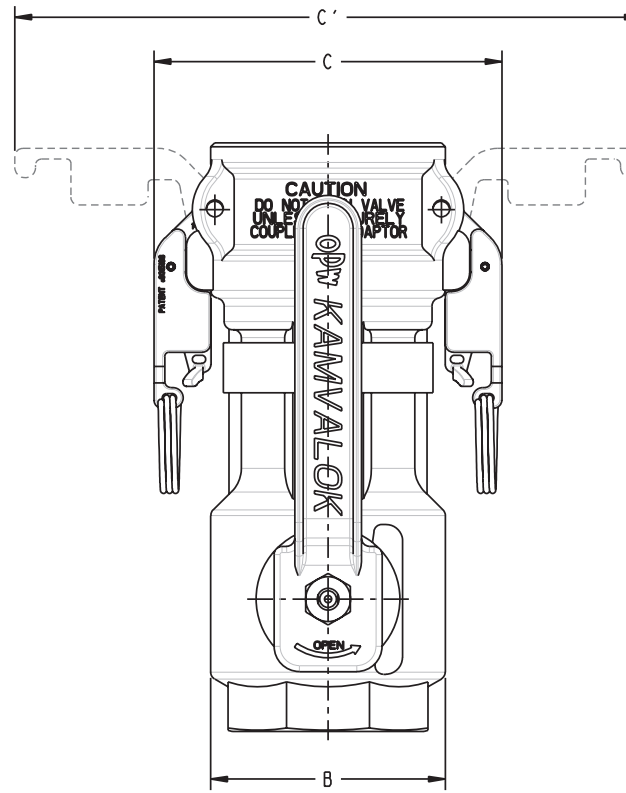
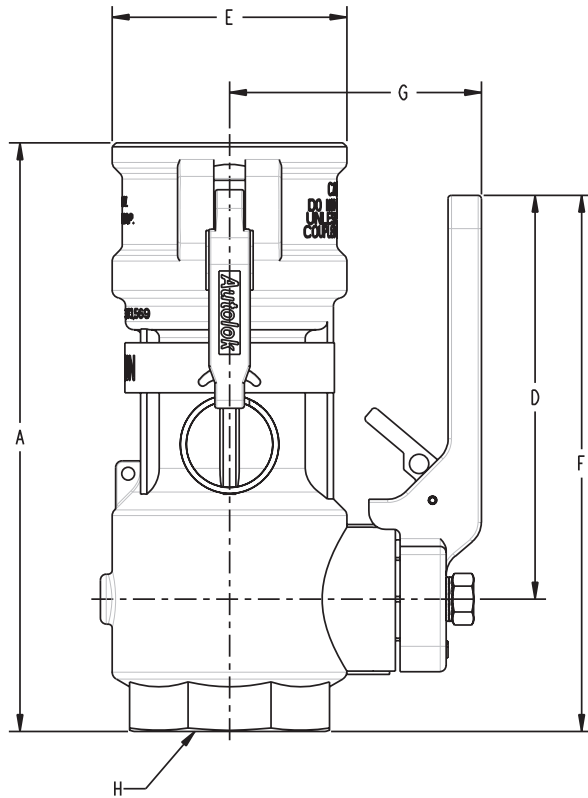


THIS DRAWING IS NOT TO BE SCALED. FOR ADDITIONAL INFORMATION, PLEASE CONTACT OUR ENGINEERING DEPT.

REVISIONS					
LTR	ECN #	DESCRIPTION	DRAWN	APPROVED	DATE
REL	41578	-	JPR		01-18-08



	SIZES (APPROXIMATE)	1-1/2"	2"	3"
A	LENGTH OF BODY	8.00" (203mm)	8.81" (224mm)	10.03" (255mm)
B	DIAMETER OF BODY	3.12" (79mm)	3.52" (89mm)	5.50" (140mm)
C	DISTANCE ACROSS ARMS (CLOSED)	4.75" (121mm)	5.22" (133mm)	7.34" (186mm)
C'	DISTANCE ACROSS ARMS (OPEN)	8.94" (227mm)	9.41" (239mm)	14.78" (375mm)
D	Ø OF SHAFT TO END OF LEVER	6.06" (154mm)	6.06" (154mm)	6.06" (154mm)
E	DIAMETER OF COUPLER END	3.12" (79mm)	3.52" (89mm)	5.50" (140mm)
F	LENGTH FROM PIPE END TO END OF LEVER	7.98" (203mm)	8.03" (204mm)	8.56" (217mm)
G	Ø OF COUPLER TO TOP OF LEVER	3.56" (90mm)	3.75" (95mm)	4.53" (115mm)
H	PIPE THREAD	1.50" (DN40)	2.00" (DN50)	3.00" (DN80)

**CONFIDENTIAL** THIS DOCUMENT CONTAINS INFORMATION WHICH IS PROPRIETARY TO OPW, AND SHOULD BE PROTECTED ACCORDINGLY.

SIGNATURES		MO-DA-YR
DRAWN:	JPR	01-18-08
CHECKED:	NAC	01-25-08
MATERIAL:	-	WEIGHT:

DESCRIPTION:		KAMVALOK COUPLER ASSEMBLY	
REV:	REL	PART NUMBER:	株式会社 トヨックス
SIZE:	D	1712-DB	
SCALE: NONE		SHEET 1 OF 1	3D GENERATED DRAWING

A

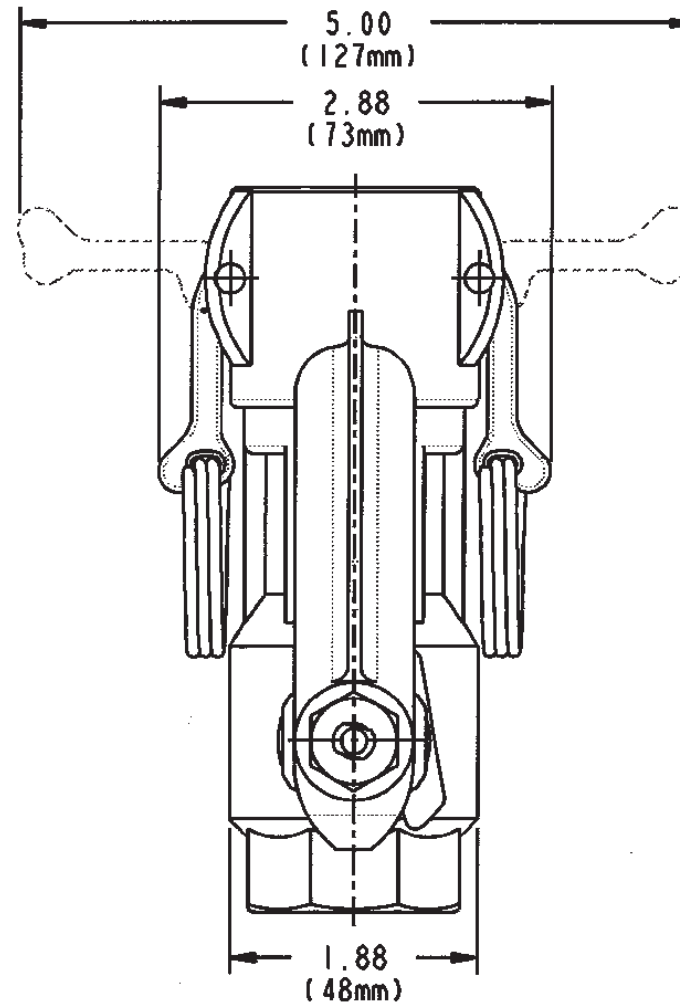
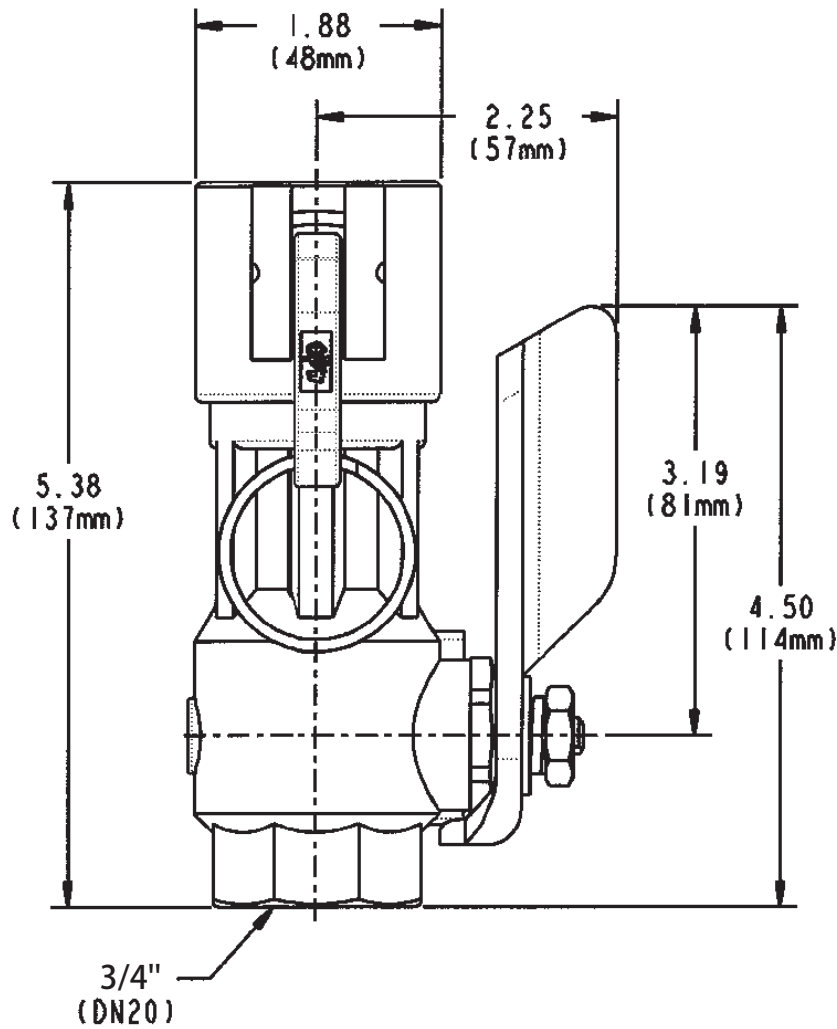
B

C

D

THIS DRAWING IS NOT TO BE SCALED. FOR ADDITIONAL INFORMATION, PLEASE CONTACT OUR ENGINEERING DEPT.

REVISIONS			DRAWN	APPROVED	DATE
LTR	ECN #	DESCRIPTION	JPR	MAC	07-11-07
REL	41581				



CONFIDENTIAL THIS DOCUMENT CONTAINS INFORMATION WHICH IS PROPRIETARY TO OPW, AND SHOULD BE PROTECTED ACCORDINGLY.

DESCRIPTION: 3/4" KAMVALOK COUPLER ASSEMBLY

SIGNATURES		NO-DA-YR	REV:
DRAWN:	JPR	07-11-07	REL
CHECKED:	MAC	07-18-07	SIZE:
MATERIAL:			C

PART NUMBER:	1712-DB
SCALE: 1.000	SHEET 2 OF 2

株式会社 トヨックス

3D GENERATED DRAWING

A

B

C

D